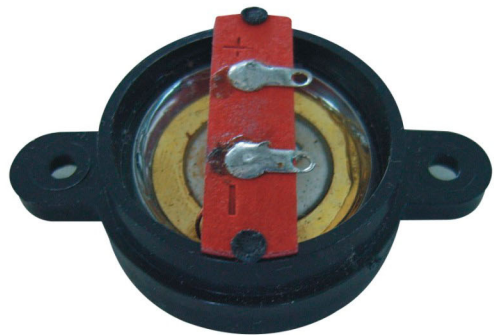
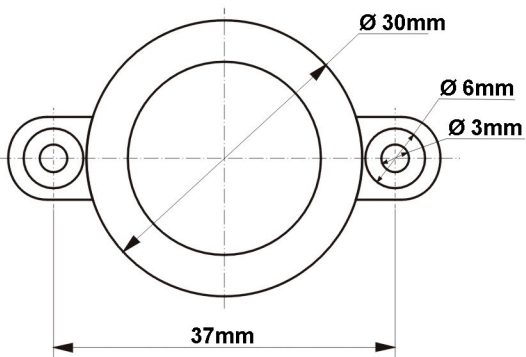


## P5123 SPEAKER SPECIFICATION

NO	ITEM	SPECIFICATION
1	Dimensions	Ø30*14 mm
2	Rat. Impedance	≤1200 Ω
3	Rat. Noise Voltage	14 V
4	Crossover Fraq.(f <sub>c</sub> )	10000±25% Hz
5	Rat. Fraq. Range	2500 - 45000 Hz
6	Sound Pressure Level	max. 118 dB ±15%



**Frequency diagram**

Speaker L001

